

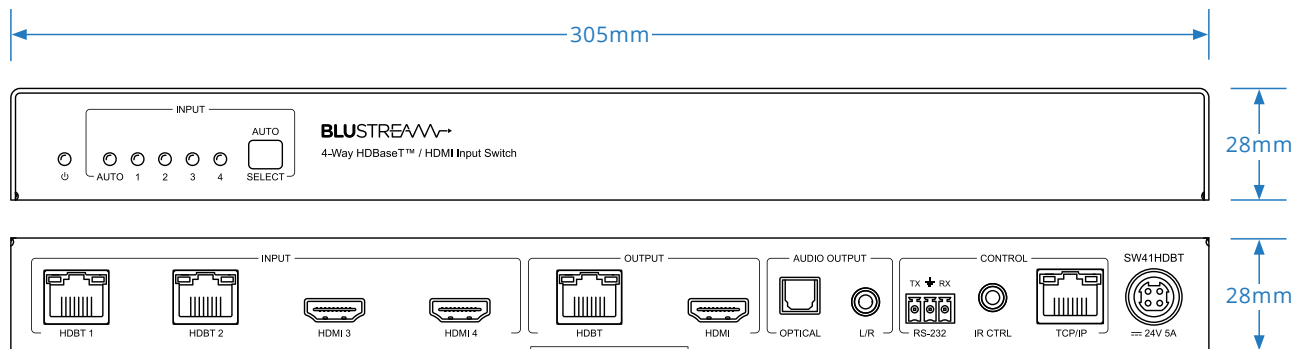
4-Way HDBaseT™ / HDMI Input Switch

Description

Our SW41HDBT is a 4-Way HDMI 2.0 4K 60Hz 4:4:4 HDBaseT™ switch utilising CSC technology to deliver HDMI and HDBaseT™ inputs to simultaneous HDMI / HDBaseT™ outputs.

The SW41HDBT provides enhanced features including PoC to power connected Blustream Transmitter and Receiver products, web GUI for configuration and control, source / display control via CEC, manual or automated source selection, RS-232 pass-through and control via front panel, IR, RS-232 and TCP/IP.

The SW41HDBT is an ideal product for your boardroom, classroom or huddle-space application when used in conjunction with our Blustream HDBaseT™ wall-plate solutions.

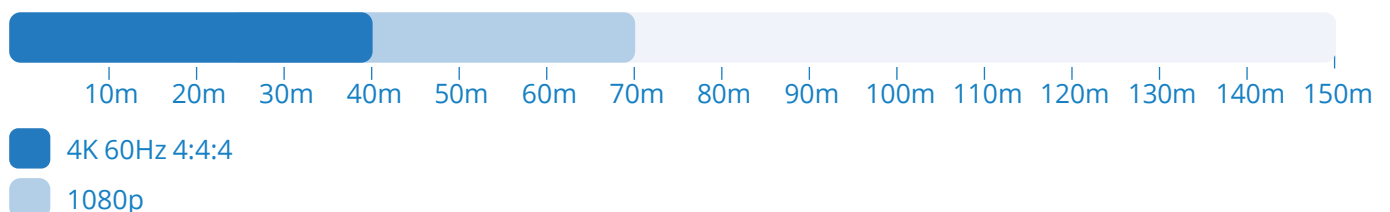


Key Features

- Features 2 x HDMI 2.0 and 2 x HDBaseT™ inputs which can be switched to simultaneous HDBaseT™ and HDMI outputs
- Advanced HDBaseT™ technology offering distribution of video and audio over a single CAT cable
- Advanced Colour Space Conversion (CSC) supports HDMI 2.0 18Gbps specification including HDR
- Automatic downscaling of up to 4K 60Hz 4:4:4 video input to 4K 30Hz 4:4:4/4K 60Hz 4:2:0 or 1080p on HDBaseT™
- HDBaseT™ input supports 4K UHD video up to 40m (3840 x 2160 @30Hz 4:4:4, 4096 x 2160 @24Hz 4:4:4, and 4K @60Hz 4:2:0), HDBaseT™ output supports 4K UHD video up to 40m (3840 x 2160 @60Hz 4:4:4) with compatible CSC receiver*
- Extends HDMI 1080p up to a distance of 70m from transmitter to SW41HDBT and up to 70m from SW41HDBT to receiver
- Supports bitstream passthrough of multichannel surround sound including object-based audio formats in line with HDMI specifications.
- Supports PoC when used with compatible 12V HDBaseT™ transmitters and receivers*
- Compatible with all Blustream HDBaseT™ transmitters and receivers*
- Audio breakout to analogue L/R audio and Toslink (S/PDIF) digital outputs concurrently
- Web interface module for control and configuration of switch
- Manual or auto source selection with control via front panel, IR, RS-232 and TCP/IP
- Auto source selection supported by compatible Blustream HDBaseT™ transmitters only*
- HDCP 2.2 compliant with advanced EDID management

*Technical performance is subject to the features supported on the connected HDBaseT™ transmitter / receiver. Please see Blustream website or documentation for a list of compatible products.

Transmission Distance via Cat6



Blustream cannot be held responsible for errors in typography or photography. Specifications are subject to change without notice.



Connectivity

- **Video Input Connectors:** 2 x HDMI Type A, 19-pin, female, 2 x HDBaseT™ RJ45 connector
- **Video Output Connectors:** 1 x HDBaseT™ RJ45 connector, 1 x HDMI Type A, 19-pin, female
- **Audio Output Connectors:** 1 x Toslink (S/PDIF), 1 x 3.5mm L/R Analogue audio
- **RS-232 Serial Port:** 1 x 3-pin Phoenix connector
- **TCP/IP Control:** 1 x RJ45, female
- **IR Input Ports:** 2 x 3.5mm stereo jack

Specifications

- **Casing Dimensions (W x H x D):** 305mm x 28mm x 220mm
- **Unit Weight:** 2.98kg
- **Shipping Weight:** 1.5kg
- **Operating Temperature:** 32°F to 104°F (0°C to 40°C)
- **Storage Temperature:** -4°F to 140°F (-20°C to 60°C)
- **Power Supply:** 24V/5A DC

Included Accessories

IR Accessories	1 x IRR, 1 x IR-CAB
RS-232 Accessories	1 x Phoenix to Serial Cable, 6 x Phoenix Connector Blocks
Mount	1 x Mounting Kit
Power Supply	24V/5A DC - 4-pin DIN

Control

TCP/IP
RS-232
App / Web GUI
IR
Front Panel

RS-232 Connectivity

Baud Rate:	57600 bps
Data Bit:	8-bit
Parity:	None
Stop Bit:	1-bit
Flow Control:	None

Regulatory Compliance



Colour Space Conversion (CSC) Technology in HDBaseT™

Due to the data rate of HDBaseT™ technology being capped at 10.2Gbps, it is unable to pass the latest native 4K UHD resolutions of 4K 60Hz 4:4:4. There is now a requirement to integrate video resolutions with data speeds up to 18Gbps across a multi-zone AV environment. Blustream have implemented CSC (Colour Space Conversion) technology into our latest products to ensure 4K HDR signals can now be supported over the limited infrastructure of HDBaseT™*.

Colour Space Conversion reduces the data rate of the HDMI signal by converting the colour space from 4:4:4 or 4:2:2 to a lower format. Within Colour Space Conversion technology the native resolution and frame rate remain constant from end to end. The only part of the signal that is converted during transmission is the colour.

* Blustream CSC products are not compatible with advanced HDR formats such as HDR10+, nor do they support video technologies utilizing 12-bit dynamic or static metadata